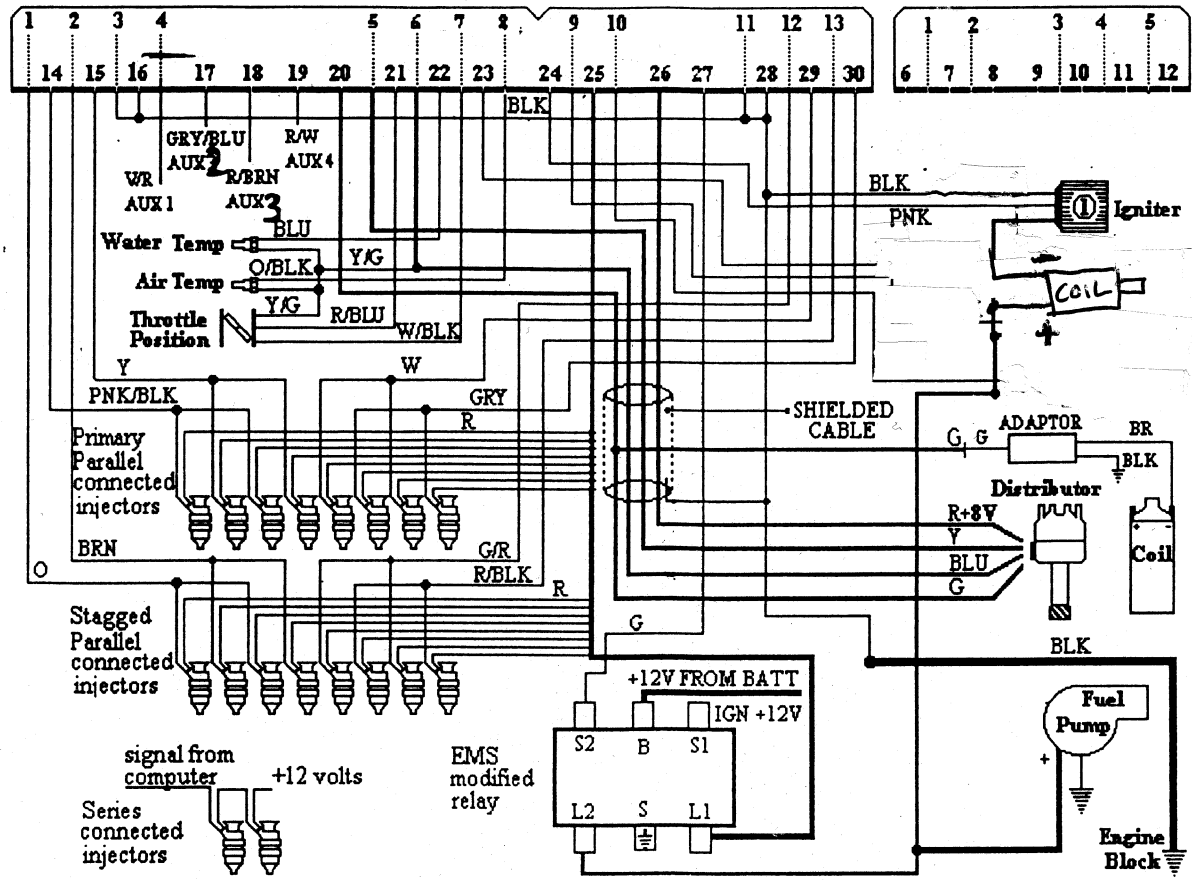


T SERIES

LOOM DIAGRAM

COMPUTER FRONT SOCKETS

REAR SOCKET



Green wire (from shielded cable) is used as a trigger for some T series and all Q series EMS units.
 The Q series computers are software selectable for trigger and sync circuits to operate with magnetic, optical or hall. If negative of the coil pick up is required use EMS coil adaptor and select magnetic in the trigger page.

NOTE:
 Do not connect Green (Shielded) to either side of coil using MSD or any other capacitor discharge ignition system.

ABBREVIATION CODE:

Black	-	BLK
White	-	W
Blue	-	BLU
Pink	-	PNK
Red	-	R
Green	-	G
Yellow	-	Y
Grey	-	GRY
Orange	-	O
Brown	-	BRN
Violet	-	V

INJECTOR COLOUR CODES		
CYL	WIRE COLOUR	PIN
4	Y	15
	W	29
6	BRN	2
	Y	15
	W	29
V8	BRN	2
	Y	15
	W	29
	R/BLK	13
	PNK/BLK	14
V12	Y	15
	W	29
	GRY	30
	O	1
	G/R	12
	BRN	2
R/BLK	13	

INJECTOR COLOUR CODES		
CYL	WIRE COLOUR	PIN
4 INJ ROTARY	BRN	2
THROTTLE BODY	Y	29
2 INJ ROTARY	Y	29

NOTE: IF STAGGED INJECTION IS REQUIRED PINS 2&13, SHOULD BE USED FOR STAGGED INJECTORS.

SHIELDED CABLE (Grey Cable with 4 colours)
 YELLOW (Reset)) These wires are used in the trigger
 RED (+ 8Volts)) circuit of the computer and must not
 BLUE (0 Volt)) be connected with the same colour
 GREEN (Trigger)) wires in the loom.

INJECTORS OHMS
 1.2 = ONE INJECTOR PER PIN
 2.2 - 4.5 = TWO INJECTORS PER PIN (parallel connection)
 12 - 16 = FOUR INJECTORS PER PIN (parallel connection)
 0.5 = TWO INJECTORS PER PIN (series connection)