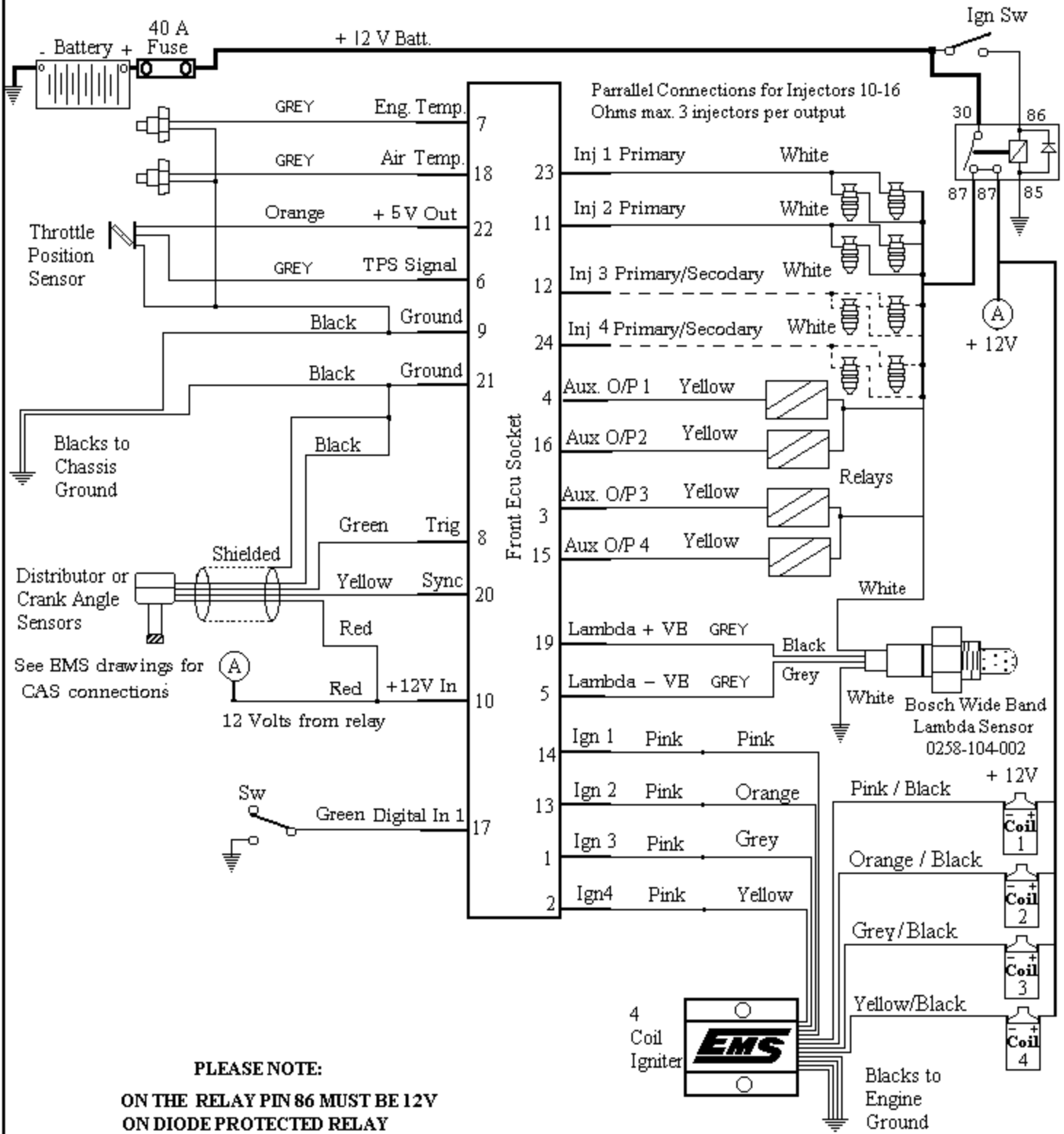


# Stinger 4424 v4.0 Ecu external igniters required

1	2	3	4	5	6	7	8	9	10	11	12
13	14	15	16	17	18	19	20	21	22	23	24

Viewing Front Ecu Socket



**PLEASE NOTE:**  
**ON THE RELAY PIN 86 MUST BE 12V**  
**ON DIODE PROTECTED RELAY**