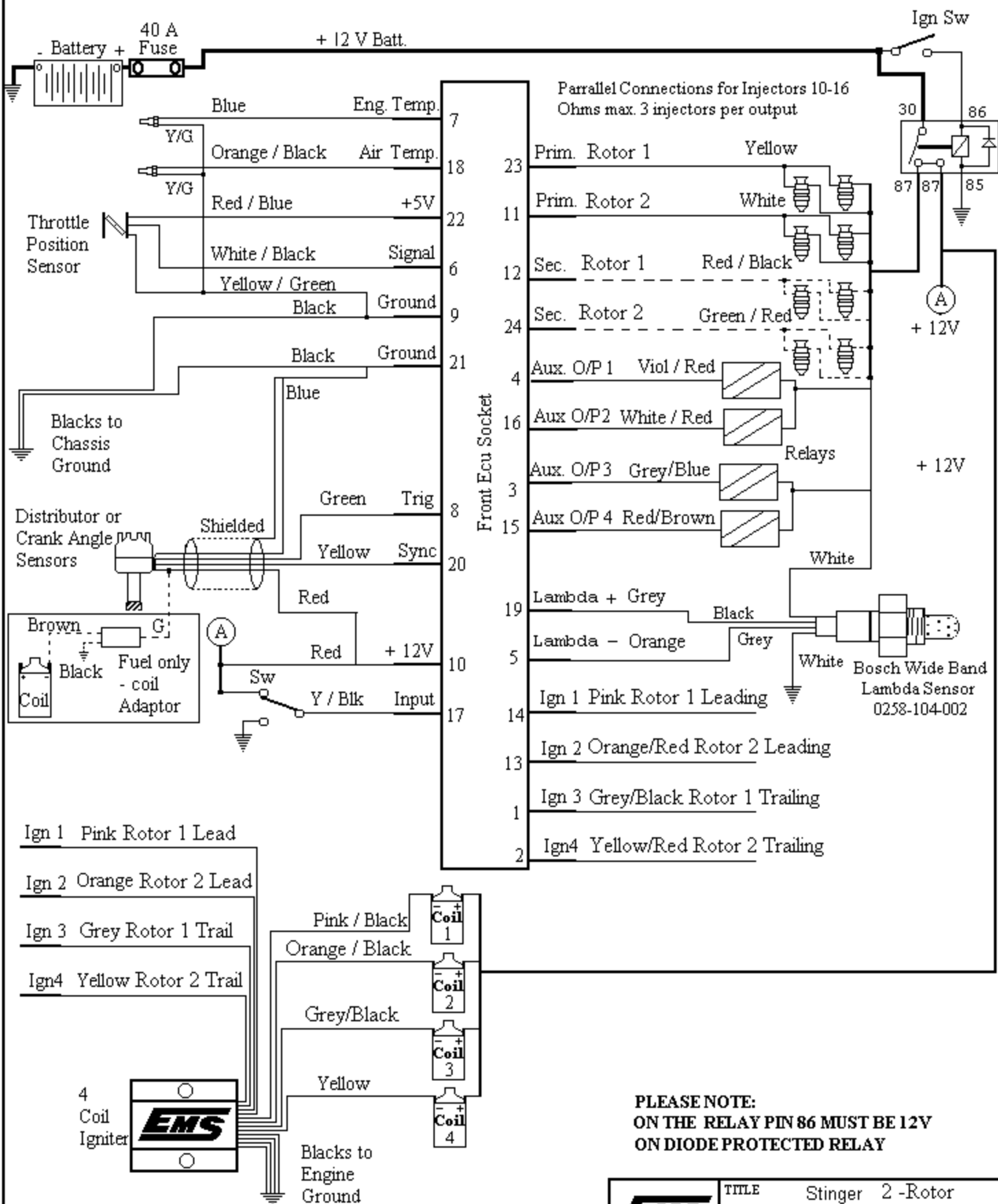


EMS Stinger 2 Rotor ECU wiring diagram

1	2	3	4	5	6	7	8	9	10	11	12
13	14	15	16	17	18	19	20	21	22	23	24

Viewing Front Ecu Socket



PLEASE NOTE:
ON THE RELAY PIN 86 MUST BE 12V
ON DIODE PROTECTED RELAY

EMS	TITLE	Stinger 2 -Rotor	
	DATE	17/07/09	CHK
			DRWG