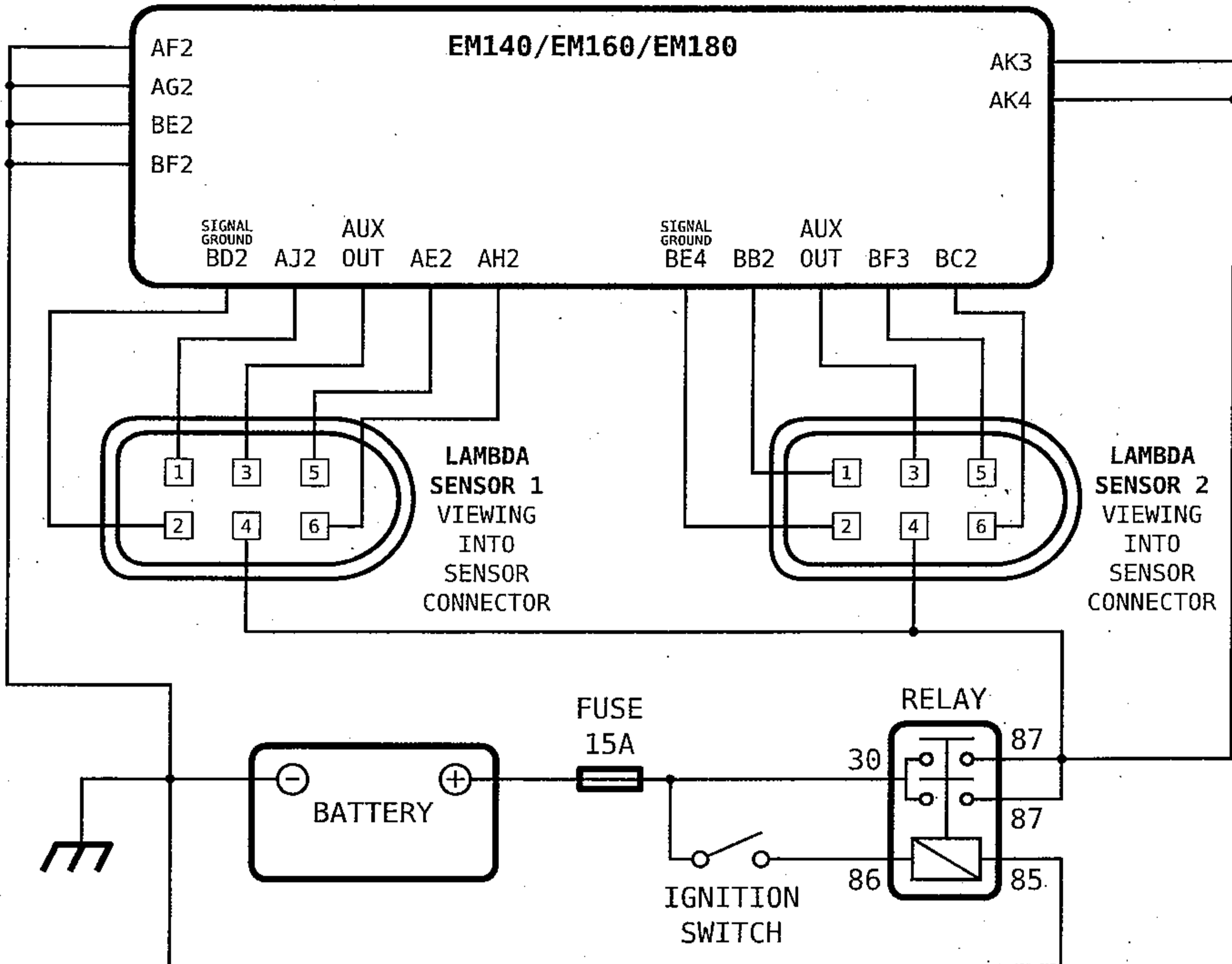


EM140/EM160/EM180 LAMBDA DIAGRAM



AUXILIARY OUTPUTS

AJ4
AH4
AG4
AF4
BB1
BC1
BD1
BE1

*BOSCH P/N
0258 017 025
DO NOT CUT SENSOR
PLUG OFF*

PIN NAME	LABEL ON WIRE
AJ2	LAMBDA 1 IP
AE2	CAL TRIM 1
AH2	LAMBDA 1 VS
BB2	LAMBDA 2 IP
BF 3	CAL TRIM 2
BC 2	LAMBDA 2 VS

NOTES:

- EACH LAMBDA SENSOR NEEDS ITS OWN AUILIARY OUTPUT
- DO NOT CONNECT BATTERY GROUND TO LAMBDA SENSORS, ONLY SIGNAL GROUNDS SHOULD BE CONNECTED TO THE LAMBDA SENSORS

TITLE EM1XX LAMBDA

DATE 06-Dec-2016 REV 2