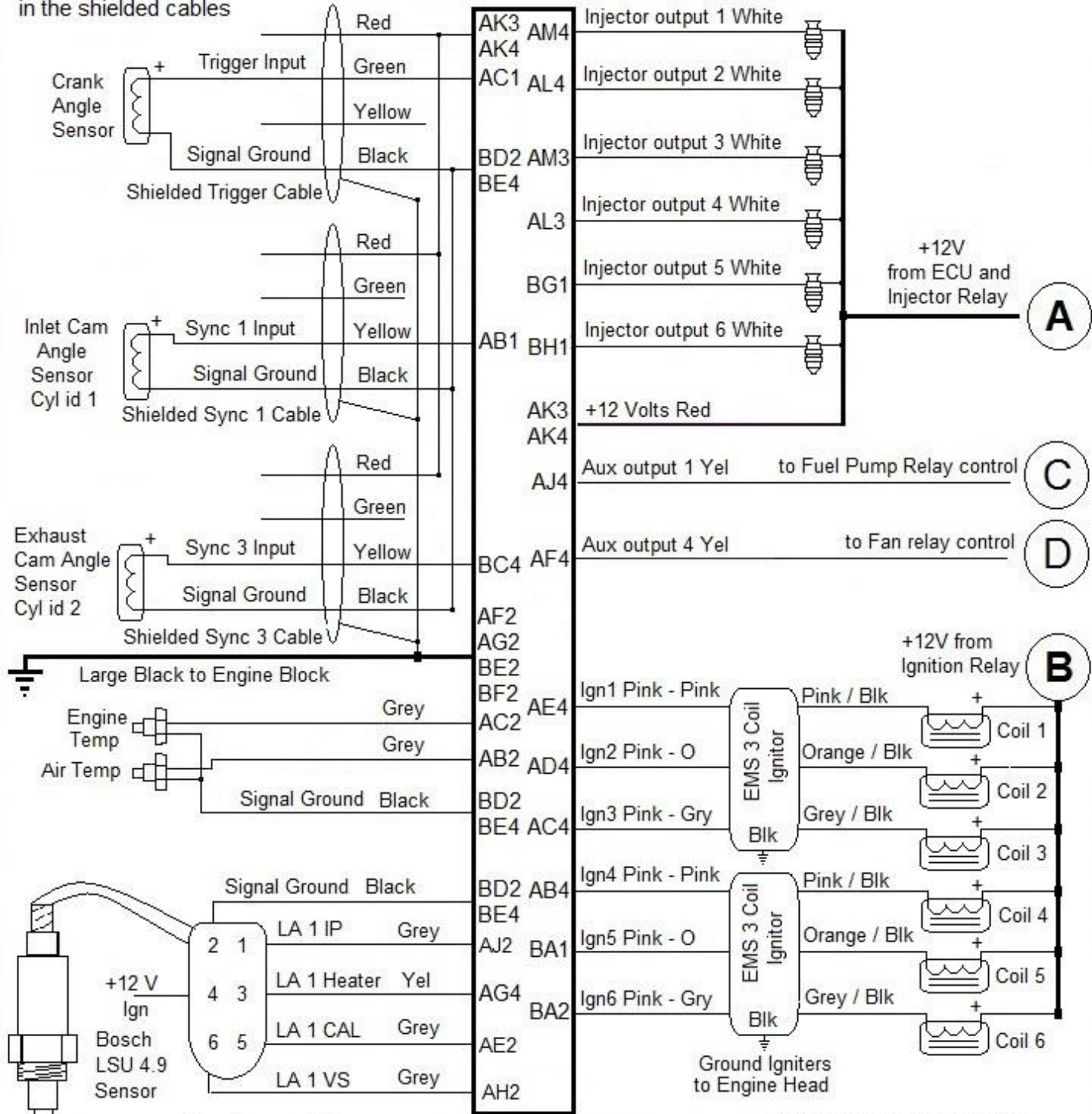


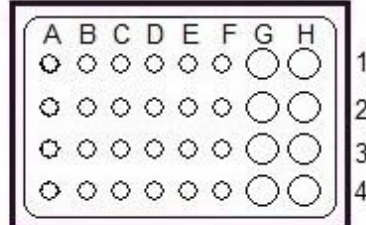
EM160 Wiring Diagram SCRA

Ford Barra

Insulate unused Red wires in the shielded cables

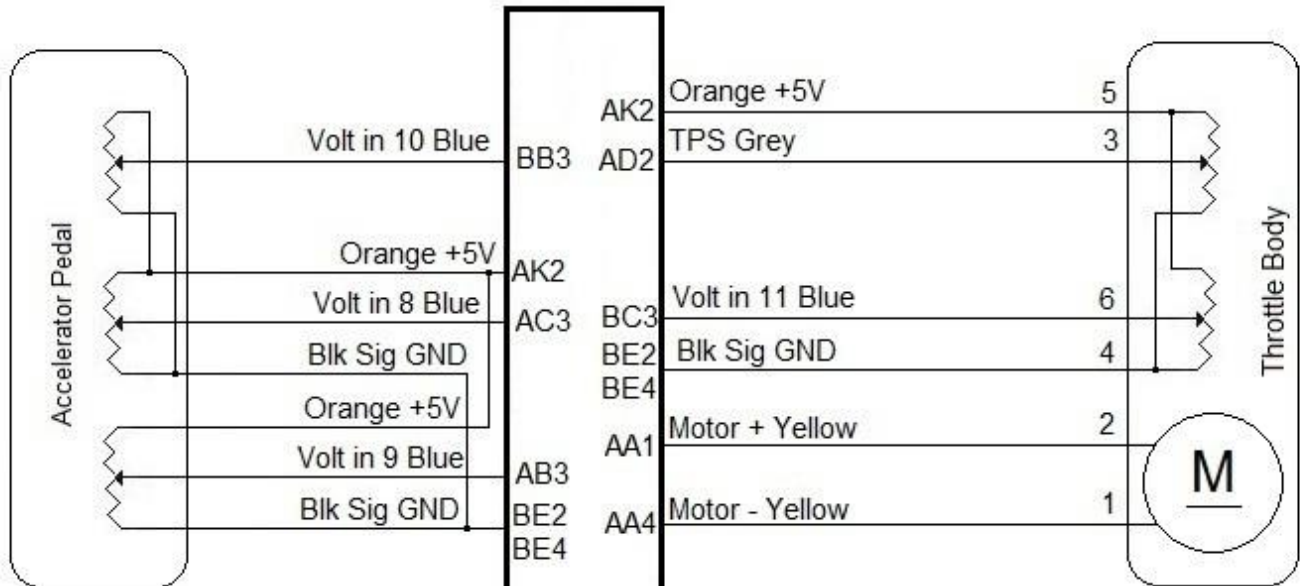


Viewing rear of plugs

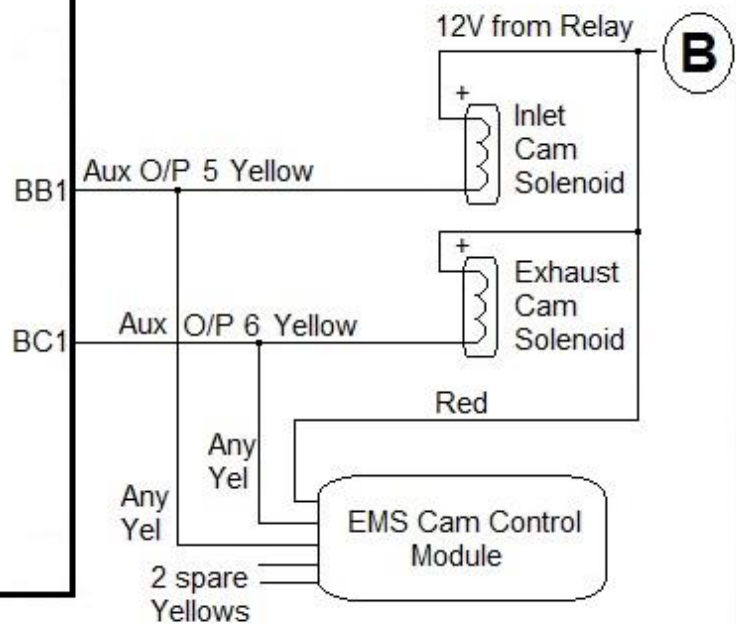


NOTE: Ensure there is a Very Heavy Ground strap from engine block to Battery or Chassis. Do NOT rely on the engine mounts to be the Ground strap, even when the engine is solid mounted.

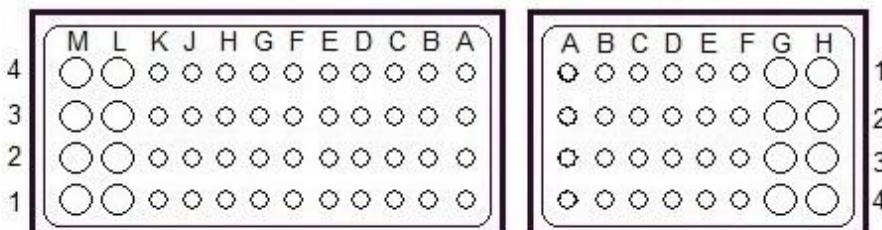
EM160 Wiring Diagram SCRA Ford Barra



Accelerator Pedal, must have a minimum of 2 sensors connected to the ECU. This is for safety reasons. The ECU will not function if only 1 pedal sensor is connected. Connect to Voltage inputs 10, 8 and 9. Voltage input 9 is optional.



Viewing rear of plugs



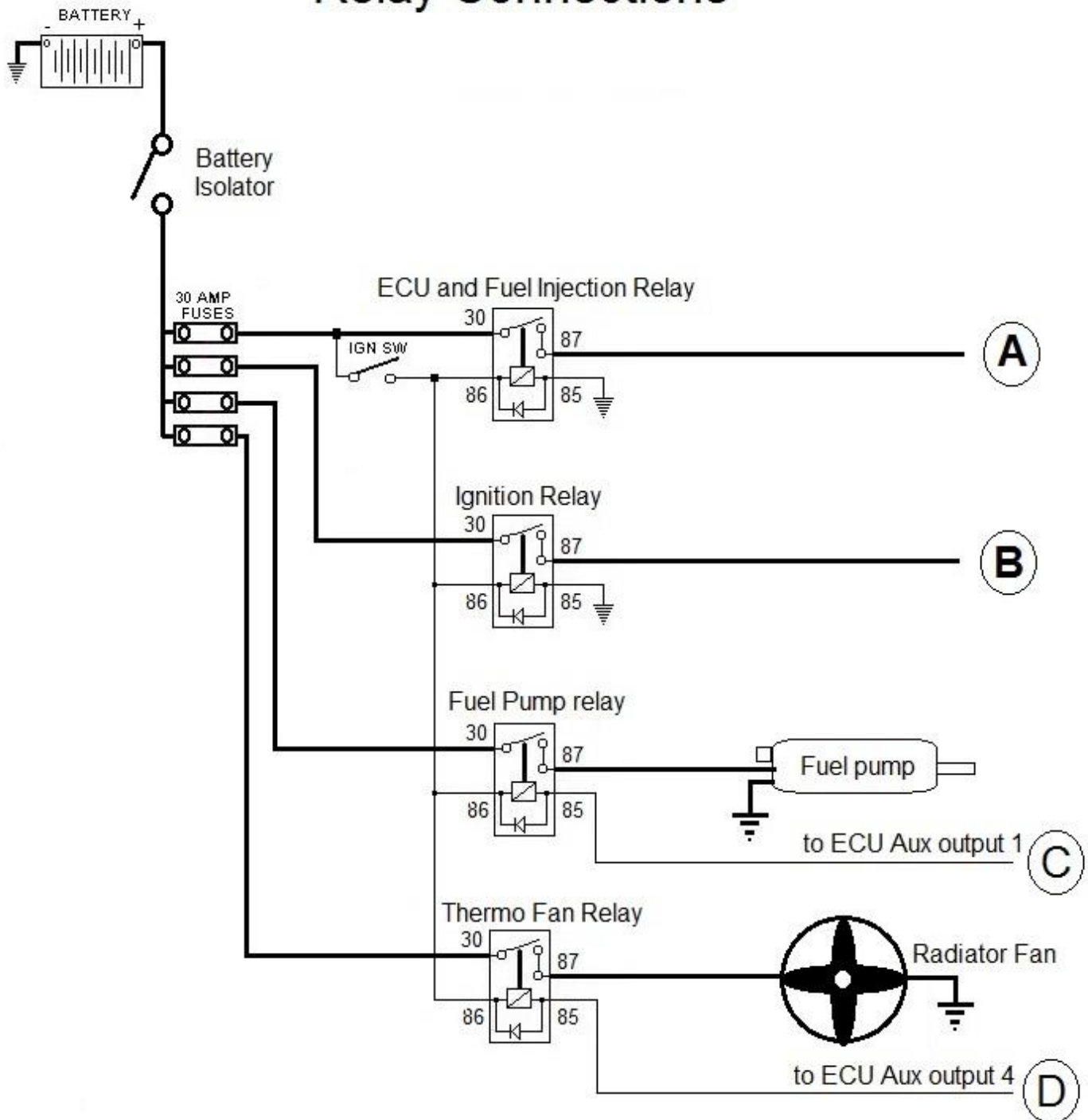
TITLE EM160 SCRA BA TPS

Date 14-06-17

Rev 1.0

Drw

Relay Connections



Note: EMS Base maps are preset to use Auxillary outputs 1 and 4, but any Auxillary output can be programmed for any available function

EMS	TITLE Relay Connections		
	Date 14-06-17	Rev 1.0	Drw