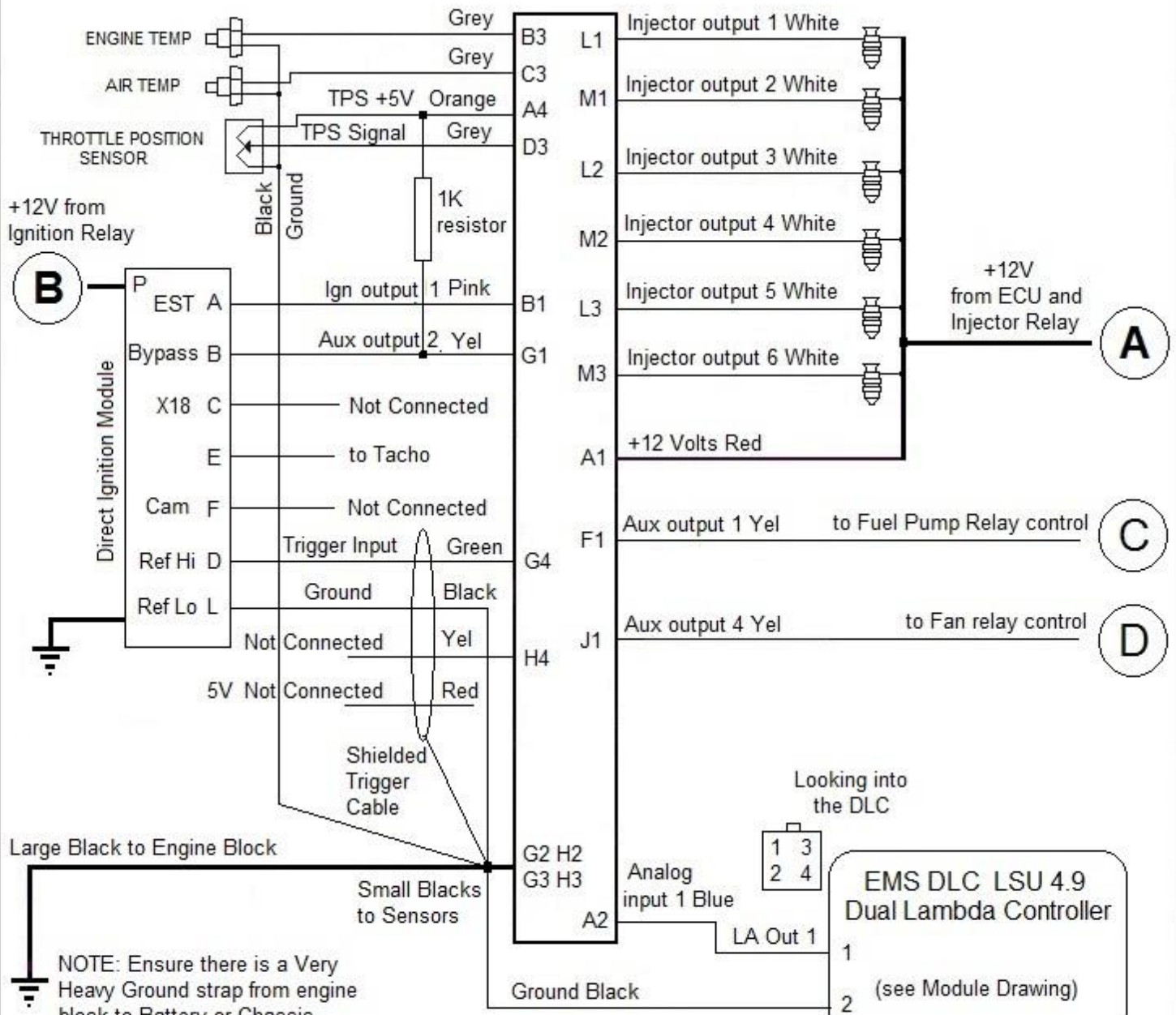


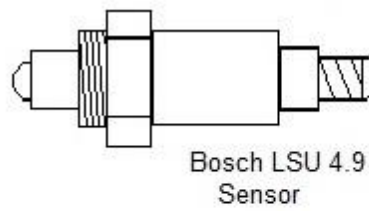
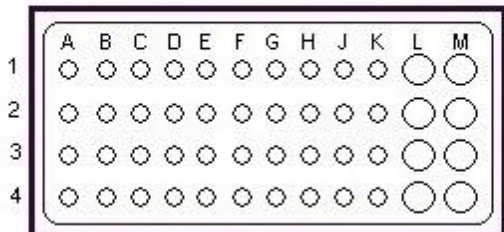
EM80 WIRING DIAGRAM

For VY

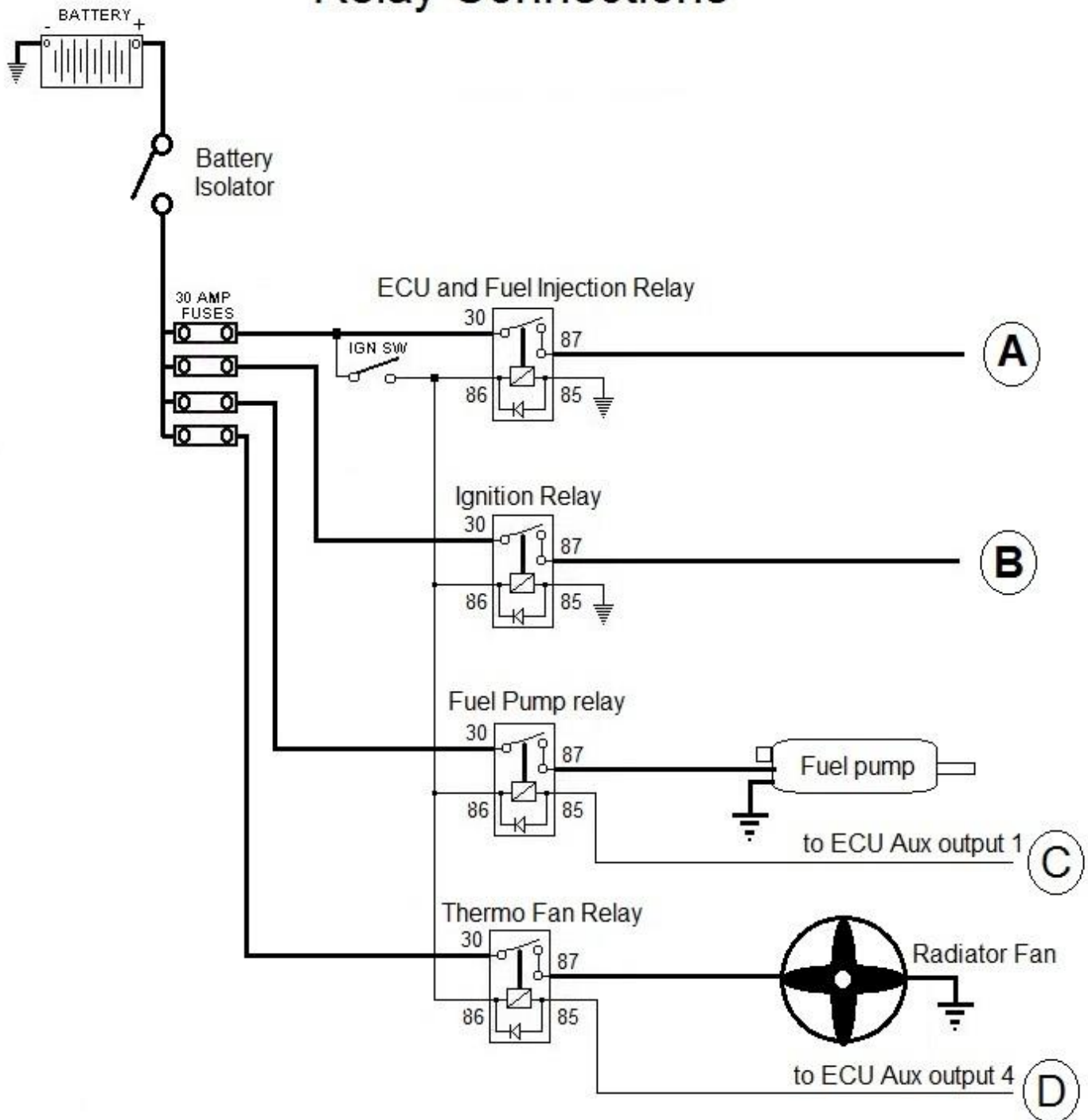


NOTE: Ensure there is a Very Heavy Ground strap from engine block to Battery or Chassis. Do NOT rely on the engine mounts to be the Ground strap, even when the engine is solid mounted.

VIEWING REAR OF LOOM PLUG



Relay Connections



Note: EMS Base maps are preset to use Auxillary outputs 1 and 4, but any Auxillary output can be programmed for any available function

EMS	TITLE Relay Connections		
	Date 14-06-17	Rev 1.0	Drw